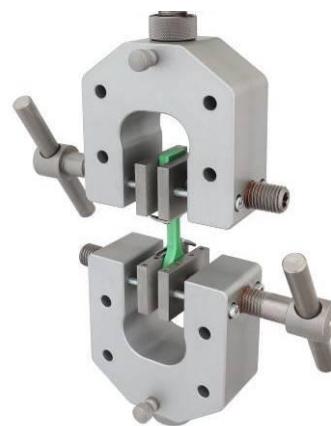


## GV-10T 10kN Manual Vise Grips GV-20T 20kN Manual Vise Grips

For a simple and effective method to grip a variety of specimens. Dual-acting design, can be used for asymmetrical samples.

Grips are offered with a T-knob for manual tightening. Jaws articulate and provide self-alignment.

GV-Ts are supplied in pairs, but can also be ordered as a single grip (0.5 pair). Grips can be supplied with different jaw surfaces. Grip jaws are ordered separately.



Item no.:	GV-10T	GV-20T	GV-20T-S50	GV-20T-S100
Tensile force:	10 kN	20 kN	20 kN	20 kN
Max. jaw opening:	32 mm	32 mm	50 mm	100 mm
Temperature range:	0°C ... +180°C	0°C ... +350°C*		
Body:	Aluminum, anodized	Steel, nickel-plated		
Weight per grip without jaws:	2.36 kg	5.04 kg	5.6 kg	6.2 kg
Scope of delivery:	1 pair of grips without jaws			

\*-70°C ... +350°C temperature range available (item no.: GV-20T-70+350)



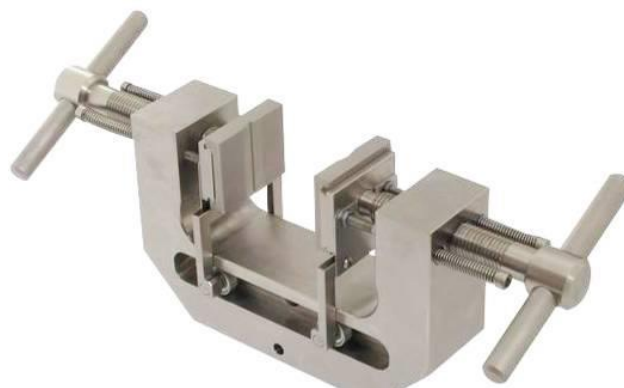
GV-10T



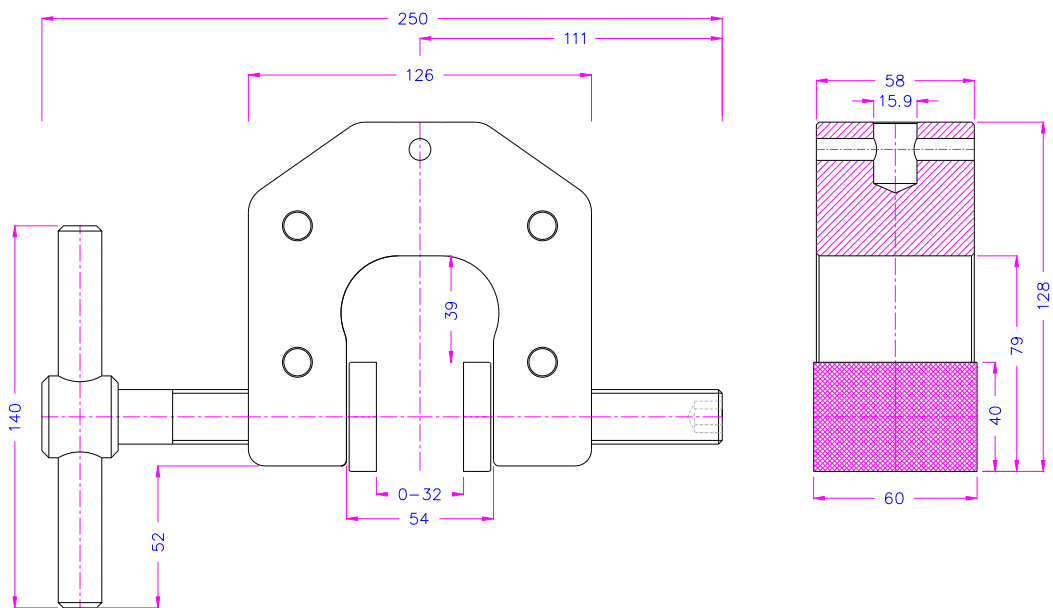
GV-20T



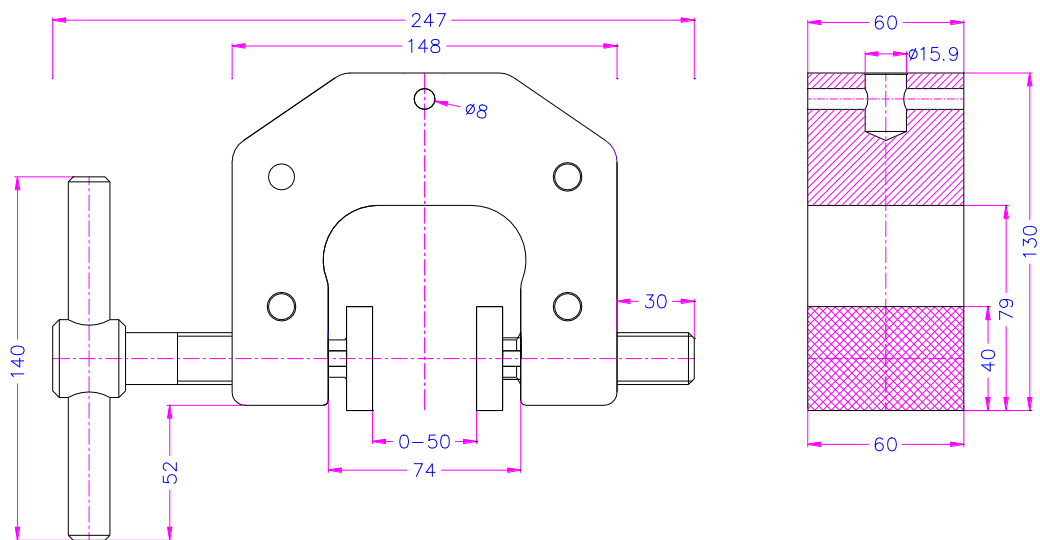
GV-20T-S50



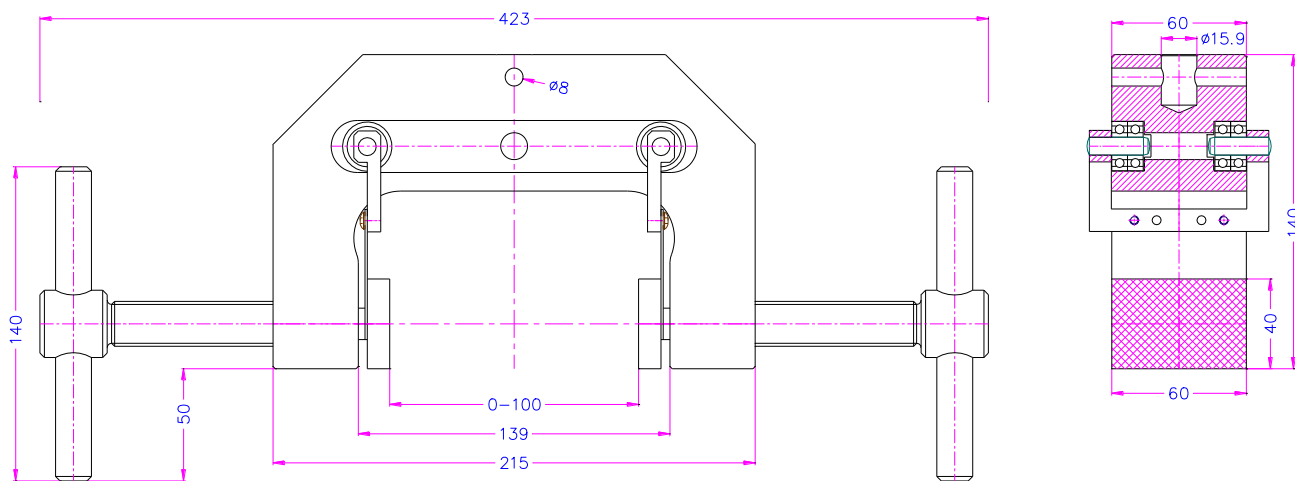
GV-20T-S100



GV-10T, GV-20T



GV-20T-S50



GV-20T-S100

## GV-T Jaws

Scope of delivery: 1 set = 4 jaws

Item no.	Surface	Clamping surface H x W	Opening for GV-10T/-20T	Opening for GV-20T-S50	Opening for GV-20T-S100	Weight per pair
GV-T-B	Blank jaws	40 x 60 mm	0 – 32 mm	0 – 50 mm	0 – 100 mm	0.35 kg
GV-T-BG	Rubber jaws	40 x 60 mm	0 – 30 mm	0 – 50 mm	0 – 100 mm	0.36 kg
GV-T-BP	Pyramid jaws	40 x 60 mm	0 – 32 mm	0 – 50 mm	0 – 100 mm	0.33 kg
GV-T-BV4*	V jaws	Clamping height 40 mm	4 – 32 mm Ø	4 – 50 mm Ø	4 – 100 mm Ø	0.35 kg
GV-T-BV6*	V jaws	Clamping height 40 mm	6 – 32 mm Ø	6 – 50 mm Ø	6 – 100 mm Ø	0.32 kg
GV-T-BW	Wave jaws	40 x 60 mm	0 – 32 mm	0 – 50 mm	0 – 100 mm	0.32 kg
GV-T-BD	Diamond jaws	40 x 60 mm	0 – 32 mm	0 – 50 mm	0 – 100 mm	0.35 kg
GV-T-BWC	Jaws for bitumen	40 x 60 mm	0 – 14 mm	0 – 34 mm	0 – 84 mm	0.63 kg
GV-T-B100	Blank jaws	40 x 100 mm	0 – 28 mm	0 – 48 mm	0 – 98 mm	0.72 kg
GV-T-BG100	Rubber jaws	40 x 100 mm	0 – 26 mm	0 – 46 mm	0 – 96 mm	0.74 kg
GV-T-BP100	Pyramid jaws	40 x 100 mm	0 – 28 mm	0 – 48 mm	0 – 98 mm	0.69 kg
GV-T-BW100	Wave jaws	40 x 100 mm	0 – 28 mm	0 – 48 mm	0 – 98 mm	0.66 kg
GV-T-BD100	Diamond jaws	40 x 100 mm	0 – 28 mm	0 – 48 mm	0 – 98 mm	0.72 kg
GV-T-BP200	Pyramid jaws	60 x 200 mm	0 – 20 mm	0 – 40 mm	0 – 90 mm	3.00 kg
GV-T-BG200	Rubber jaws	60 x 200 mm	0 – 18 mm	0 – 38 mm	0 – 88 mm	3.06 kg
GV-T-BW200	Wave jaws	60 x 200 mm	0 – 20 mm	0 – 40 mm	0 – 90 mm	3.00 kg



### Blank jaws

- Suitable for own further treatments
- Steel blanks without coating



### Rubber jaws

- 1 mm rubber coating (NBR)
- Nickel-plated



### Pyramid jaws

- Pyramids 1.2x45
- Hardened steel 58HRC
- Nickel-plated



### V-jaws

- For all round samples
- Tooth pitch 1.2 mm
- Hardened steel 58HRC
- Nickel-plated



### Wave jaws

- For flexible materials
- Wave 5 mm
- Hardened steel 58HRC
- Nickel-plated



### Diamond jaws

- Clamping surface coated with synthetic diamonds
- Nickel-plated

\*We recommend BV6 jaws for samples of a larger diameter:



GV-T-BV4



GV-T-BV6

## GV-T Insert Jaws

Quick change system of jaw surfaces without any additional tools.

Insert jaws require carriers (GT for 60 mm wide jaws and GT100 for 100 mm wide jaws).

Scope of delivery: 1 set = 4 jaws

Item no.	Surface	Clamping surface H x W	Opening for GV-10T/-20T	Opening for GV-20T-S50	Opening for GV-20T-S100	Weight per pair
GV-T-GT	Carrier	-	-	-	-	0.33 kg
GV-T-EB	Blank insert jaws	50 x 60 mm	0 – 24 mm	0 – 42 mm	0 – 92 mm	0.29 kg
GV-T-EBG	Rubber insert jaws	50 x 60 mm	0 – 22 mm	0 – 42 mm	0 – 92 mm	0.30 kg
GV-T-EBP	Pyramid insert jaws	50 x 60 mm	0 – 24 mm	0 – 42 mm	0 – 92 mm	0.28 kg
GV-T-EBV4	V insert jaws	Clamping height 50 mm	4 – 24 mm Ø	4 – 42 mm Ø	4 – 92 mm Ø	0.29 kg
GV-T-EBW	Wave insert jaws	50 x 60 mm	0 – 24 mm	0 – 42 mm	0 – 92 mm	0.26 kg
GV-T-EBD	Diamond insert jaws	50 x 60 mm	0 – 24 mm	0 – 42 mm	0 – 92 mm	0.29 kg
GV-T-GT100	Carrier	-	-	-	-	0.69 kg
GV-T-EB100	Blank insert jaws	50 x 100 mm	0 – 16 mm	0 – 36 mm	0 – 86 mm	0.63 kg
GV-T-EBG100	Rubber insert jaws	50 x 100 mm	0 – 14 mm	0 – 34 mm	0 – 84 mm	0.65 kg
GV-T-EBP100	Pyramid insert jaws	50 x 100 mm	0 – 16 mm	0 – 36 mm	0 – 86 mm	0.60 kg
GV-T-EBW100	Wave insert jaws	50 x 100 mm	0 – 16 mm	0 – 36 mm	0 – 86 mm	0.57 kg
GV-T-EBD100	Diamond insert jaws	50 x 100 mm	0 – 16 mm	0 – 36 mm	0 – 86 mm	0.63 kg



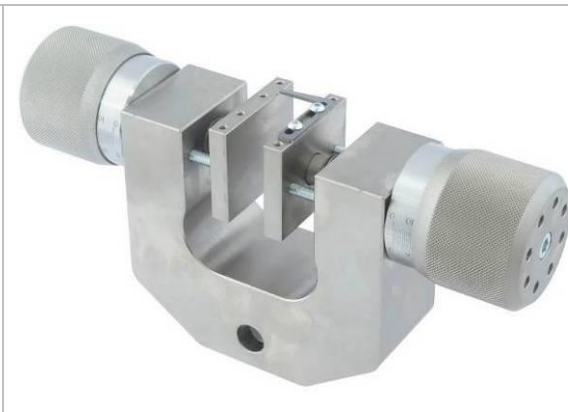
GT carrier with GV-T-EBG rubber-faced insert jaw

Jaws with other dimensions and surface coatings available on request

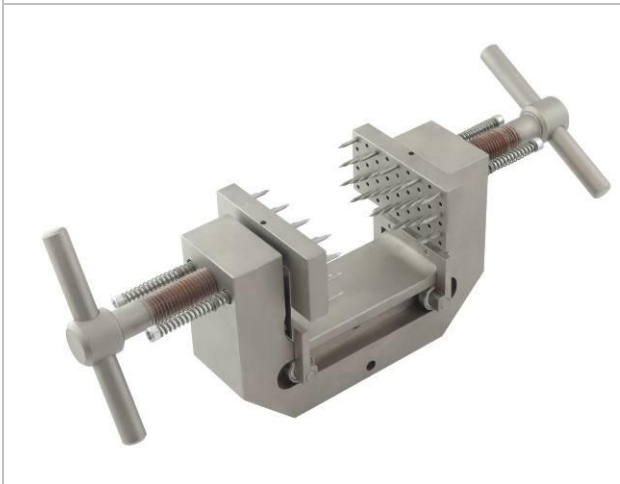
Examples for custom solutions:



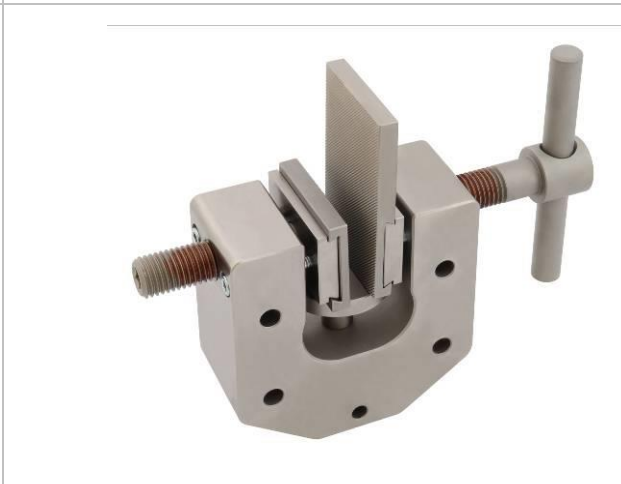
GV-20T-70+350  
Fully nickel-plated version for a temperature range  
-70°C ... +350°C



GV-20T-S50-DKSK  
Special version of GV-20T-S50 with scaling knobs



GV-20T-S100+BN50x100  
with special jaws with needles for testing thick samples,  
like insulation foam, non-woven insulation, etc.



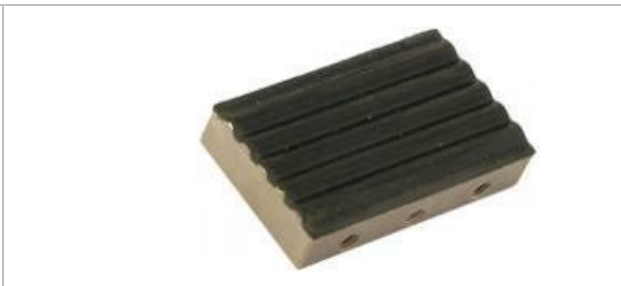
GV-T+EBP100x60  
with special serrated insert jaws of different height to perform adhesive  
joint lap shear strength type tests



GV-20T-S100 with custom jaws in combination with a T-slotted platen with special inserts to test tensile properties of car batteries



GV-T-BWC  
Custom jaws to test bitumen (with water-cooling)



GV-T-BWG  
Custom rubber-coated wave jaws