

CP-SST Compression platen

Self-aligning and fixable platen.
Spherically seating - the platen adjusts to the specimen.
It is also possible to fix the platen at the required position.

CP-SSTk: for couplings Ø 12 – 25 mm
CP-SSTg: for couplings Ø 30 - 40 mm

- Applicable for metal specimens, concrete etc
- Hardened steel 58 HRC, phosphate coating
- Temperature range: 0°C - +280°C
Nickel plated: -70°C - +280 °C (on request)

CP-SSTi: for couplings up to Ø 8 mm

- For low weight specimens (packaging material etc)
- Aluminum, anodized
- Temperature range: -70°C - +180°C

Ordering Information

Scope of delivery: 1 platen



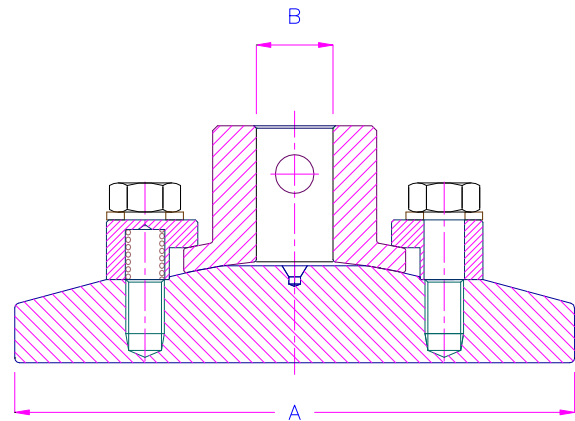
CP-SSTi for couplings up to 8 mm Ø		
Item number	Diameter	Weight
CP-SSTi-56	56 mm	~ 60 gram
CP-SSTk for couplings 12 - 25 mm Ø		
Item number	Diameter	Weight
CP-SSTk-56	56 mm	~1.27kg
CP-SSTk-96	96 mm	~1.4kg
CP-SSTk-116	116 mm	~1.7kg
CP-SSTk-156	246 mm	~2.7kg
CP-SSTg for couplings 30 - 40 mm Ø		
Item number	Diameter	Weight
CP-SSTg-056	56 mm	~5.2kg
CP-SSTg-156	156 mm	~5.1kg
CP-SSTg-196	196 mm	~6.4kg

Other dimensions on request

Description of Item Number CP-SST-A-B

A Diameter of platen [mm] 56, 96, 116, 156, 196

B Adapter/ Coupling e.g.
CP-SSTi: [mm] 8 etc
CP-SSTk: [mm] 15.9, 20 - male [mm] 20, 22 etc
CP-SSTg: [mm] 30, 31.8, 32, 36, 40 - male [mm] 31.7 etc



The max. capacity depends on the size of coupling (B).

The rigid platen TH23 ([Datasheet TH23](#)) can be combined with CP-SST platens.

Ordering Information for the combination rigid + self adjusting platen: 0.5 pair TH23 + 1x CP-SST



CP-SSTi-56



CP-SSTk-116



CP-SSTg-56

Examples for other versions and special solutions



CP-SSTg-156-Am317



CP-SSTk-116-NI
Temperature range -70°C-280°C



CP-SSTk-296



CP-SSTg-396x596



CP-SSTk-D200-L6-20-AL



CP-SSTs-136



CP-SSTg-150x180



CP-SSTk-114x114-AL



CP-SSTi-100x100