

Pincer grip with spring

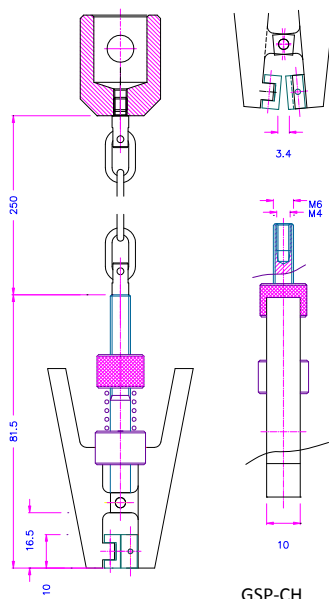
Versatile, easy to use. Suitable for small forces, pull of tests, tear test of components, adhesive bonds, plastic weldings (paper, plastics, rubber) etc. Chain mounting for flexible positioning.

GSP-CH: Standard with chain
 GSP-CH-F: Without chain (adapter is mounted directly on the pincer grip).

• Item No.	GSP-CH
• Tensile force	20 N
• Opening	0 – 3.4 mm
• Jaws	Smooth (blank) jaws
• Clamping surface H x W	10 x 10 mm
• Body	Aluminium, anodized
• Temperature range	0 up to +180°C
• Weight	98 gram
• Scope of delivery	GSP-CH: 1 pincer grip incl. chain GSP-CH-F: 1 pincer grip without chain



GSP-CH



GSP-CH



GSP-CH-F