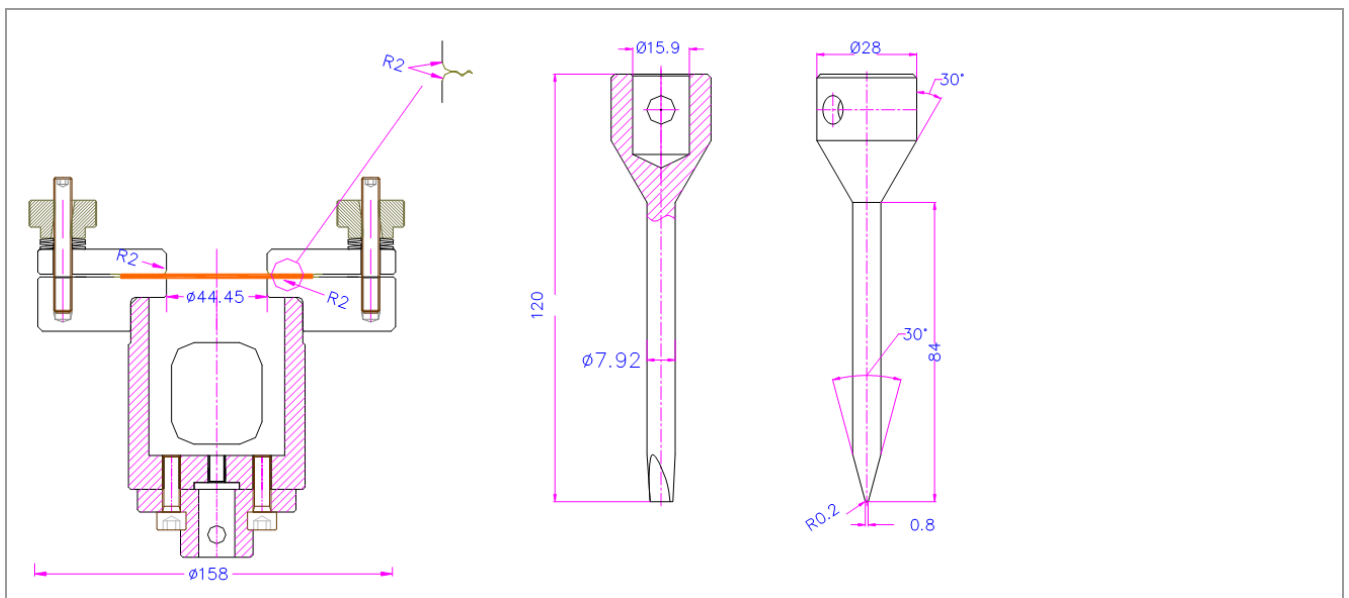


## PUNCTURE FIXTURES

<b>Item no.:</b>	<b>FS-PT-ASTM D751</b>
<b>ASTM D751</b>	Standard Test Methods for Coated Fabrics
Load capacity:	20 kN 50 kN version also available
Material:	Steel, nickel-plated
Temperature range:	-40....+80°C Further temperature ranges available on request
Weight:	8 kg
Scope of delivery:	1 fixture including pin



**Puncture testing fixtures are available based on a variety of testing standards such as:**

- ASTM D1709  
Impact Resistance of Plastic Film by the Free-Falling Dart Method
- ASTM D3763  
High Speed Puncture Properties of Plastics Using Load and Displacement Sensors
- ASTM D5494  
Determination of Pyramid Puncture Resistance of Unprotected and Protected Geomembranes
- ASTM F1342  
Protective Clothing Material Resistance to Puncture
- DIN EN 863  
Protective clothing. Mechanical properties. Test method: puncture resistance
- DIN EN 388  
Protective gloves against mechanical risks
- DIN EN ISO 20344  
Personal protective equipment - Test methods for footwear
- DIN EN ISO 7765-1  
Plastics film and sheeting - Determination of impact resistance by the free-falling dart method - Part 1: Staircase methods
- DIN 53142-1  
Testing of board - Puncture test - Part 1: Puncture test with a pendulum punching device